



Akcelport industries

13, Shah Industrial Estate, Deonar, Chembur, Mumbai - 400088, INDIA.

Tel. : +91 - 22 - 2555 5888, Telefax : +91 - 22 - 2506 4667

E-mail : mail@akcelport.com, Web : www.akcelport.com

Product Catalog

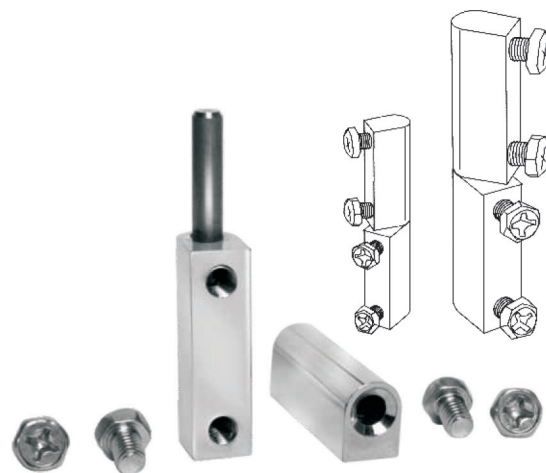
“ Quality is not just controlled, it’s IN-BUILT ”

PANEL HINGES

Panel Hinges (Lift off Type) are manufactured from extruded Brass rods duly polished and Nickel Chrome Plated, with stainless steel inserts and Philips-recessed hexagonal head screws duly zinc plated.

We cover all the standard range dimensions in this product that is being incorporated by the panel board manufacturers worldwide and can also offer any customer required variations against request.

Please note all our products in this category are RoHS Compliant.

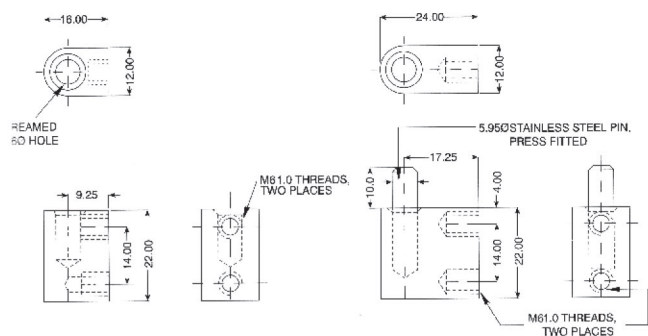


Panel Hinges



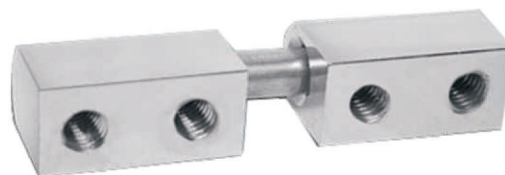
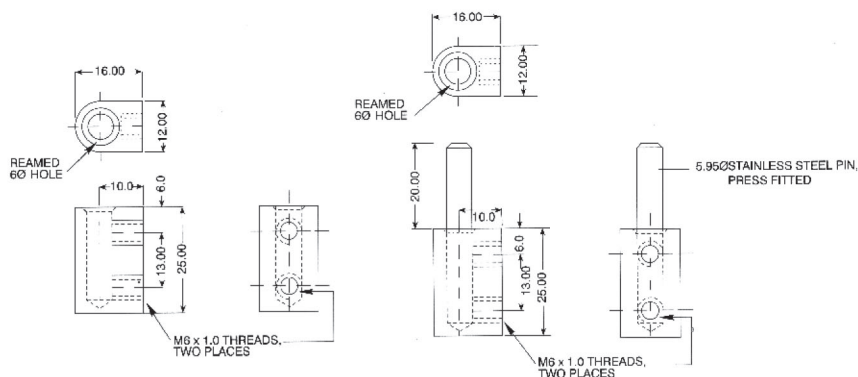
APH 440

Nickel plated brass Hinges with stainless steel insert and Zinc passivated screws.



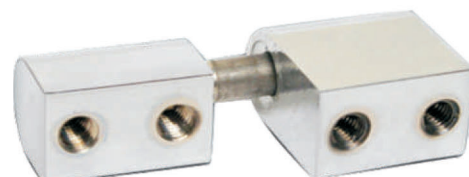
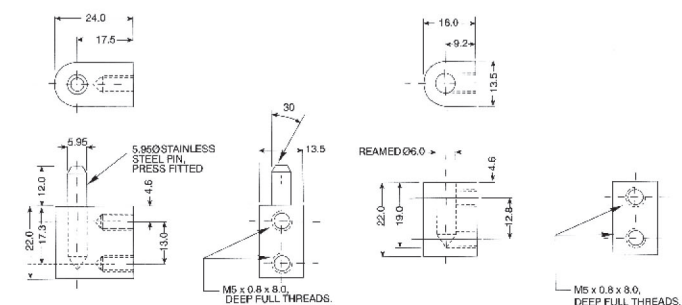
APH 500

Nickel plated brass Hinges with stainless steel insert and Zinc passivated screws.



APH 520

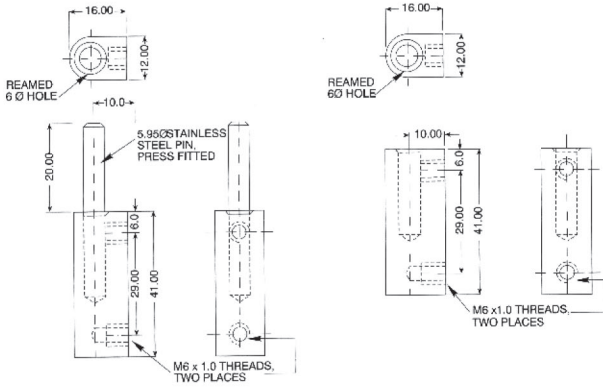
Nickel plated brass Hinges with stainless steel insert and Zinc passivated screws.





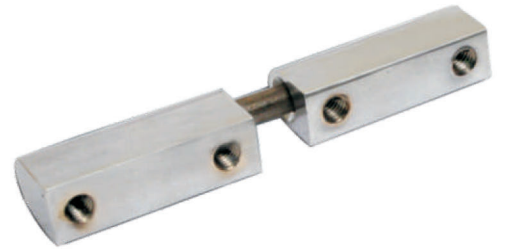
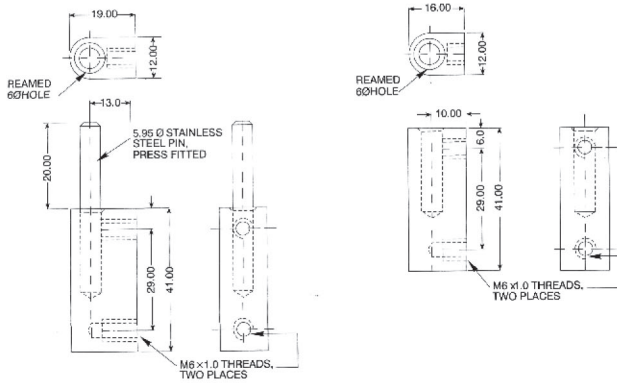
APH 650

Nickel plated brass Hinges with stainless steel insert and Zinc passivated screws.



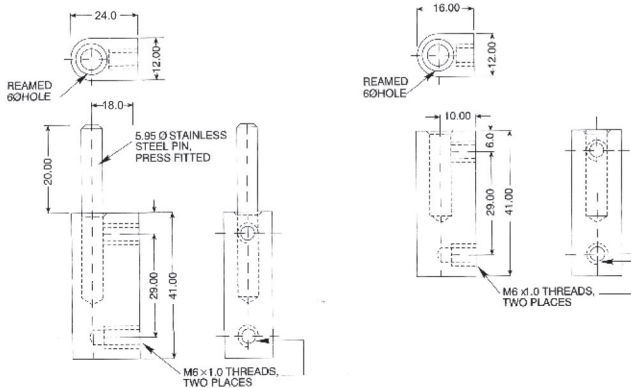
APH 820

Nickel plated brass Hinges with stainless steel insert and Zinc passivated screws.



APH 880

Nickel plated brass Hinges with stainless steel insert and Zinc passivated screws.



APH 900

Nickel plated brass Hinges with stainless steel insert and Zinc passivated screws.

