



Akcelport industries

13, Shah Industrial Estate, Deonar, Chembur, Mumbai - 400088, INDIA.

Tel. : +91 - 22 - 2555 5888, Telefax : +91 - 22 - 2506 4667

E-mail : mail@akcelport.com, Web : www.akcelport.com

Product Catalog

“ Quality is not just controlled, it’s IN-BUILT ”

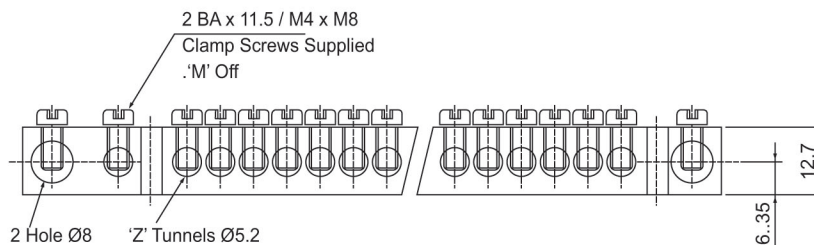
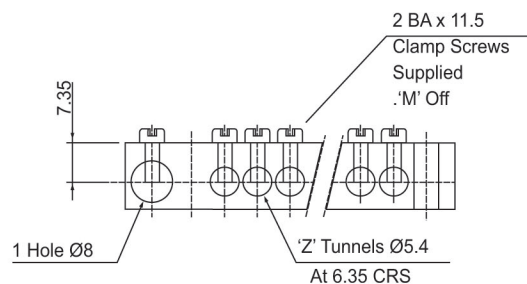
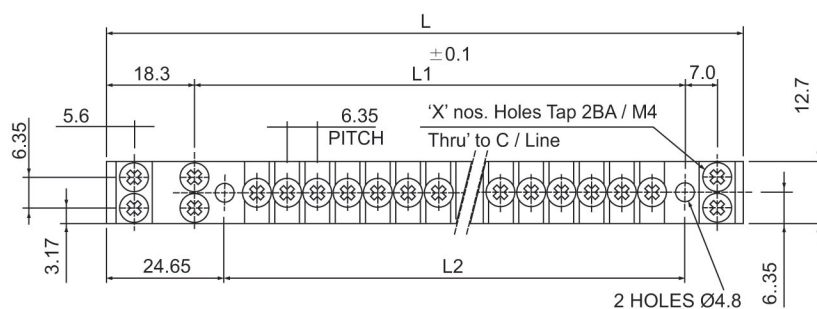
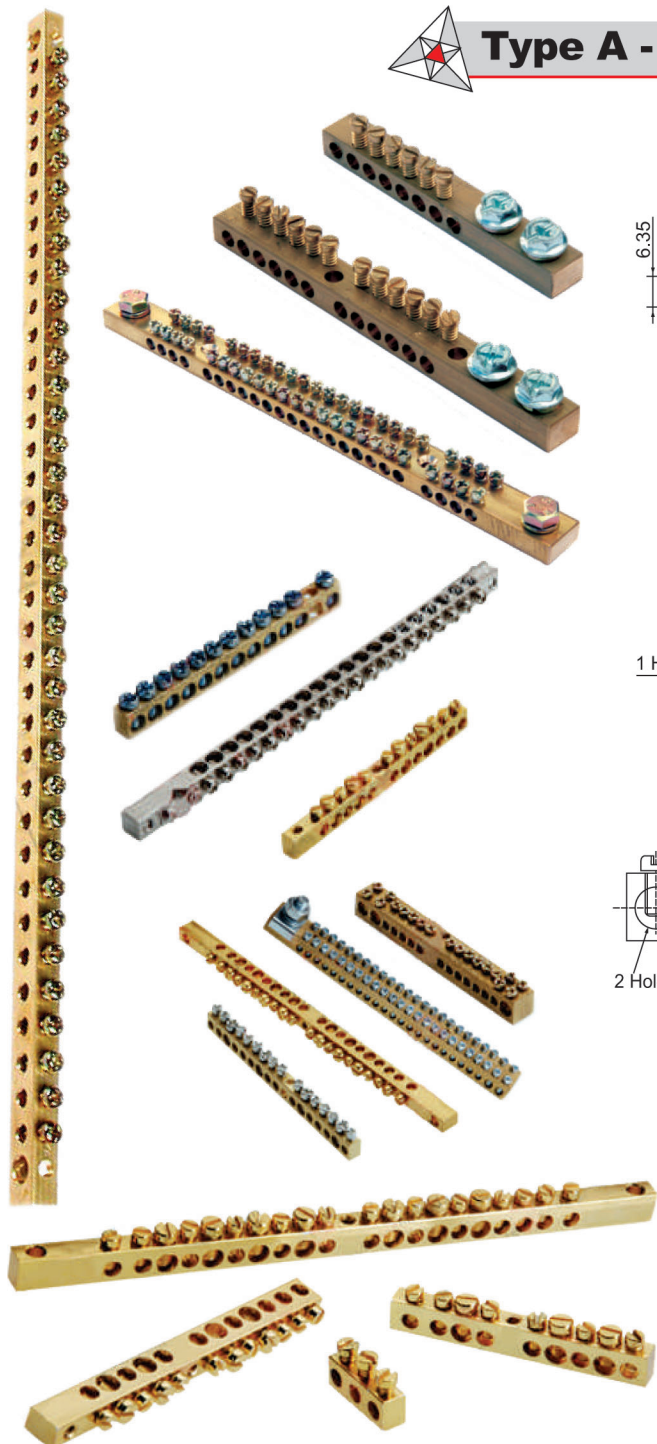
NEUTRAL / EARTH BARS

We offer standard brass neutral bars in sections of 7mm x 9mm, 8mm x 12mm, 19mm x 9.5mm, 12.7mm x 9.5mm having wide applications in distribution / panel boards. Both single screw per tunnel as well as double screws per tunnel can be made available as required from 6 ways, 12 ways, 18 ways, 24 ways, 30 ways, 36 ways, 42 ways, 48 ways, 60 ways upto 72 ways. We have listed some of the designs we manufacture in brass neutral bars. Other than these, we can also cater to any specific customer designs with respect to bolt hole, terminal holes, length and cross-section of brass neutral bars.

The bars are generally with fine surface finish and standard MS screws duly zinc plated. The option of cheese head screws or Philips head screws are also available.



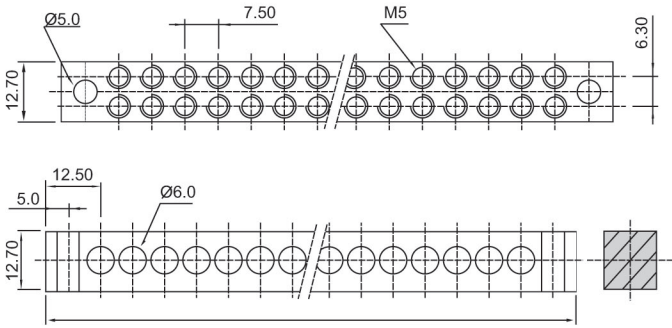
Type A - 12.7mm X 12.7mm 7 way to 36 way



Code No.	Ways	L mm	L1 mm	L2 mm	X	M	Z
NBA07	7	81.70	50.8	44.45	12	12	7
NBA09	9	93.75	63.5	57.15	14	14	9
NBA14	14	126.15	95.25	88.9	19	19	14
NBA18	18	150.90	120.65	114.3	23	23	18
NBA24	24	189.00	158.75	152.4	29	29	24
NBA30	30	227.75	196.65	190.5	35	35	30
NBA36	36	265.20	228.60	228.6	41	41	36

All Dimensions in mm

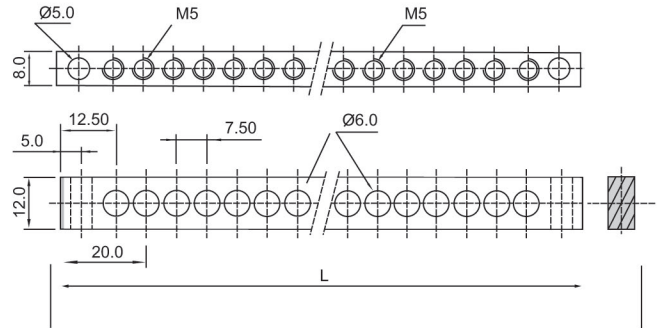
Type B - 12.7mm x 12.7mm



12.70 mm x 12.70 mm

Code No.	WAYS	L	
		With end fixing hole	Without end fixing hole
NBB06	06	63	48
NBB12	12	108	93
NBB18	18	153	138
NBB24	24	198	183
NBB30	30	243	228
NBB36	36	288	273
NBB42	42	333	318
NBB0.5m	0.5 mtr.	500	500
NBB1.0m	1.0 mtr.	1000	1000

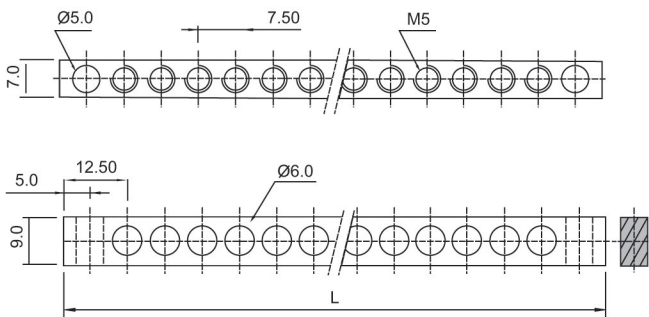
Type D - 8mm x 12mm



8 mm x 12 mm

Code No.	WAYS	L	
		With end fixing hole	Without end fixing hole
NBD06	06	63	48
NBD12	12	108	93
NBD18	18	153	138
NBD24	24	198	183
NBD30	30	243	228
NBD36	36	288	273
NBD42	42	333	318
NBD0.5m	0.5 mtr.	500	500
NBD1.0m	1.0 mtr.	1000	1000

Type C - 7mm x 9mm



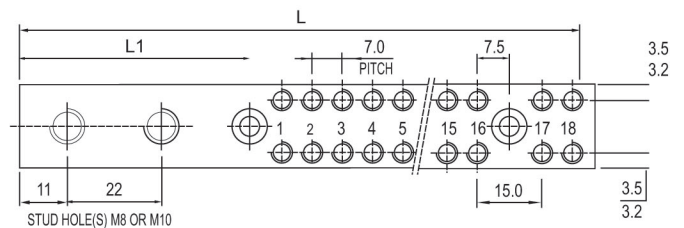
7 mm x 9 mm

Code No.	WAYS	L	
		With end fixing hole	Without end fixing hole
NBC06	06	63	48
NBC12	12	108	93
NBC18	18	153	138
NBC24	24	198	183
NBC30	30	243	228
NBC36	36	288	273
NBC42	42	333	318
NBC0.5m	0.5 mtr.	500	500
NBC1.0m	1.0 mtr.	1000	1000

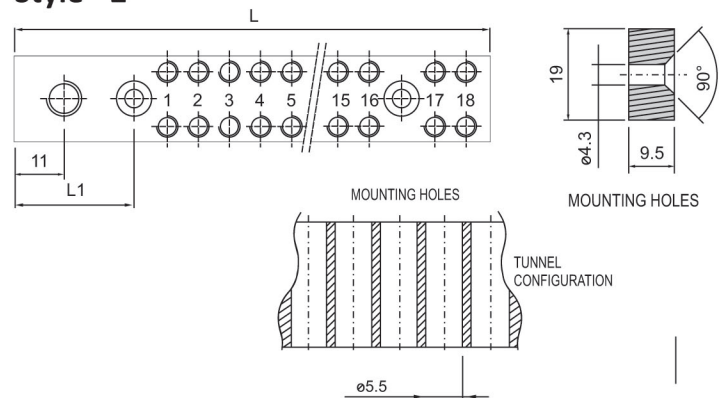
All Dimensions in mm

Type E - 6 way to 8 way

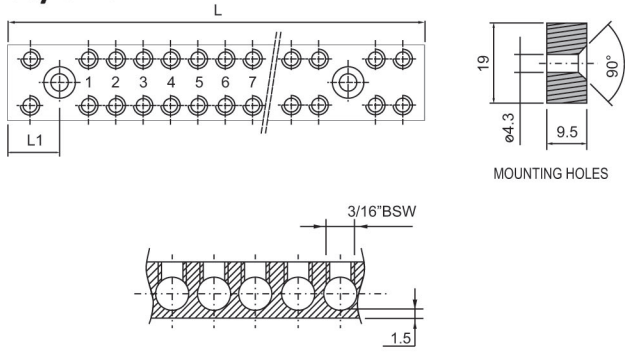
Style - 1



Style - 2



Style - 3

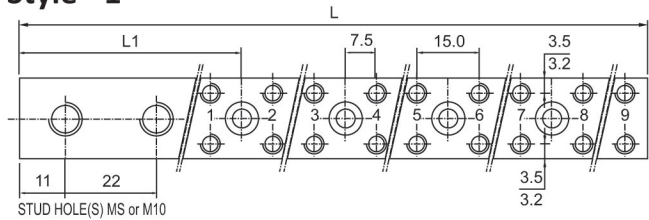


Code No.	WAYS	Style - 1		Style - 2		Style - 3	
		L mm	L1 mm	L mm	L1 mm	L mm	L1 mm
NBE06	06	103	47.9	82	26.7	61	5.6
NBE12	12	145	47.9	124	26.7	103	26.7
NBE18	18	188	47.9	166	26.7	145	12.6

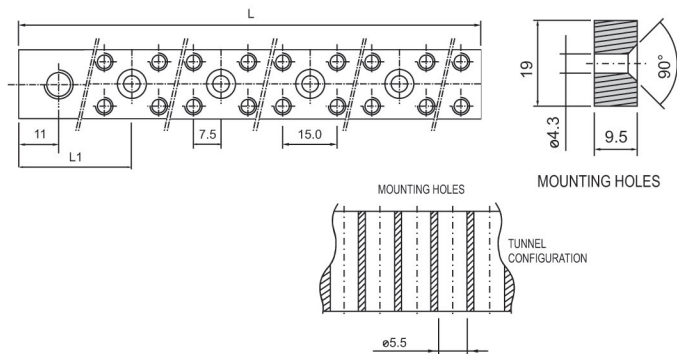
Note : Mtg. Hole Centre Distance = 120mm For 18 Ways To 84 Ways & 50 Mm For 6 Ways To 12ways

Type F - 24 way to 84 way

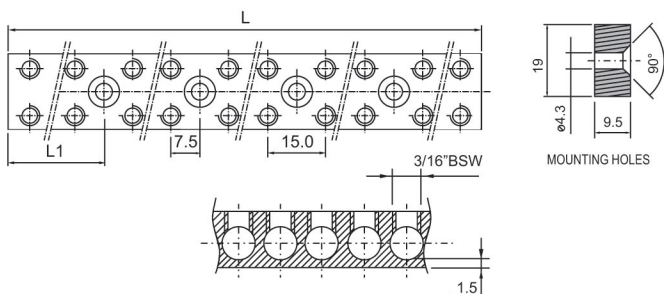
Style - 1



Style - 2



Style - 3

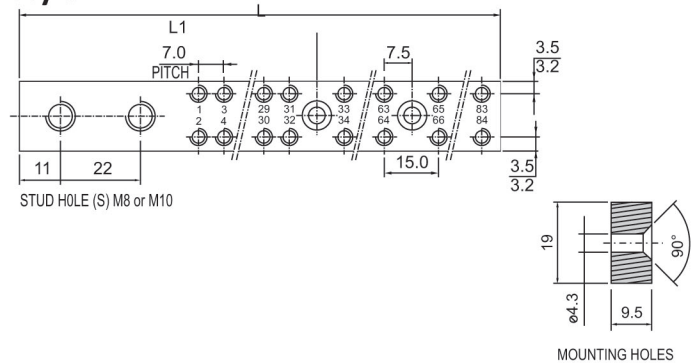


Code No.	WAYS	Style - 1		Style - 2		Style - 3	
		L mm	L1 mm	L mm	L1 mm	L mm	L1 mm
NBF24	24	237	62	216	40.9	188	33.8
NBF30	30	279	83.2	258	62	230	55
NBF36	36	322	104.4	301	83.2	272	76.2
NBF42	42	364	125.6	343	104.4	315	97.3
NBF48	48	406	146.8	385	125.6	357	118.5
NBF54	54	449	167.9	428	146.8	399	139.7
NBF60	60	491	189.1	470	167.9	442	160.9
NBF72	72	590	238.5	569	219.1	541	219.1
NBF84	84	675	279.0	654	259.6	625	259.6

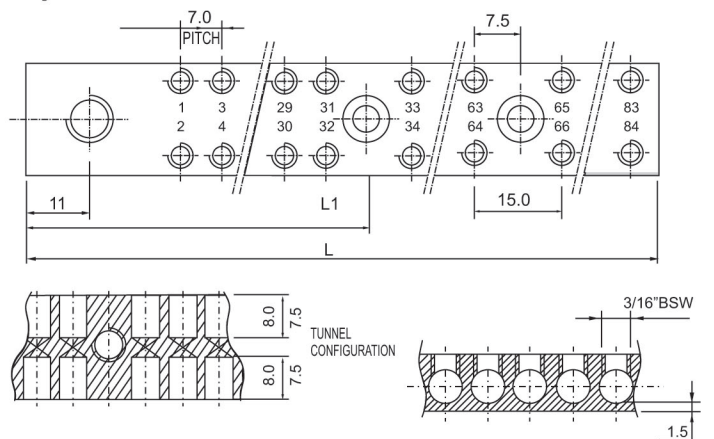
Note : Mtg. Hole Centre Distance = 120mm For 18 Ways To 84 Ways & 50 Mm For 6 Ways To 12ways

Type G - 12 way to 36 way

Style - 1



Style - 2



Code No.	WAYS	Style - 1		Style - 2	
		L mm	L1 mm	L mm	L1 mm
NBG12	12	103	46.8	82	25.7
NBG18	18	124	46.8	103	25.7
NBG24	24	145	46.8	124	25.7
NBG30	30	166	46.8	145	25.7
NBG36	36	188	47.4	166	26.3

All Dimensions in mm