



Akcelport industries

13, Shah Industrial Estate, Deonar, Chembur, Mumbai - 400088, INDIA.

Tel. : +91 - 22 - 2555 5888, Telefax : +91 - 22 - 2506 4667

E-mail : mail@akcelport.com, Web : www.akcelport.com

Product Catalog

“ Quality is not just controlled, it’s IN-BUILT ”

BUSBAR SUPPORTS / STANDOFF INSULATORS

We offer complete range of insulators, moulded out of high grade polyester reinforced resins (DMC and SMC).

The Standoff insulators are made from DMC material, and are offered in different variants :

- (1) Conical Type,
- (2) Octagonal Type,
- (3) Full Cylindrical Type,
- (4) Cylindrical Type,
- (5) Round-Hex Type.
- (6) Drum Type (Taiwan model)



Finger type and grip type insulators are also offered - made from standard SMC material.

Technical Specifications for DMC and SMC Material

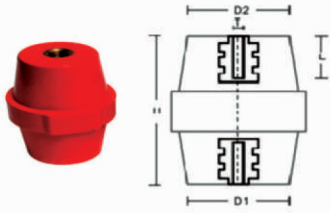
Properties	Units	Test Methods (ASTM)	SMC	DMC	EPOXY
PHYSICAL					
Specific Gravity	-	D - 792	1.7	1.9	1.6 - 2.0
Glass Contents	%	N.A.	25	15	-
Water Absorption (24 hrs)	%	D - 570	0.2	0.15	0.04 - 0.1
MECHANICAL					
Tensile Strength	kg/sq cm	D - 638	700	400	750 - 400
Flexural Strength	kg/sq cm	D - 790	1550	700	800
Compressive Strength	kg/sq cm	D - 695	1800	1500	1600
Impact Strength Izod	J/	D - 265	600	250	10
ELECTRICAL					
Tracking Index	volts	IEC 60112	1000	1000	+600
electric Di-strength	KV/mm	D - 149	12	12	18
Arc Resistance	secs	D - 495	+180	+180	+180
Flammability			Self Extinguishing		

TOLERANCE CHART

DM (mm)	Tolerance
1 - 15	0.25 mm
16 - 50	0.5 mm
51 - 100	1.0 mm
101 - 250	1.5 mm
250 & above	2.0 mm



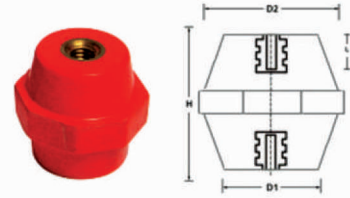
Drum Type



CODE NO.	D1 mm	D2 mm	H mm	T mm	L mm
D25M6	25	31	25	M6	7
D25M8	25	31	25	M8	7
D30M6	25	33	30	M6	9
D30M8	25	33	30	M8	7
D35M6	27	32	35	M6	9
D35M8	27	32	35	M8	9
D51M8	29	32	51	M8	14
D55M10	35	42	55	M10	14
D64M10	34	40	64	M10	17
D64M12	34	40	64	M12	17
D65M10	35	39	65	M10	17
D65M12	35	39	65	M12	17
D76M10	39	47	76	M10	22
D76M12	39	47	76	M12	22



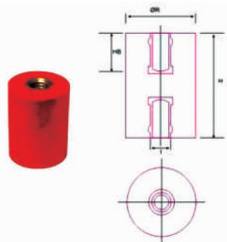
Octagonal Type



CODE NO.	D1 mm	D2 mm	H mm	T mm	L mm
OCT20M4	15	18	20	M4	5
OCT25M6	18	21	25	M6	7
OCT30M6	22	28	30	M6	9
OCT30M8	22	28	30	M8	7
OCT30M10	26	30	30	M10	9
OCT35M6	25	30	35	M6	9
OCT35M8	25	30	35	M8	9
OCT35M8A	34	38	35	M8	11
OCT35M10A	34	38	35	M10	11
OCT40M6A	25	30	40	M6	12
OCT40M8A	25	30	40	M8	12
OCT40M8B	30	34	40	M8	14
OCT40M8	35	39	40	M8	12
OCT40M10	35	39	40	M10	11
OCT45M8	33	38	45	M8	14
OCT45M10	33	38	45	M10	14
OCT45M8A	42	47	45	M8	14
OCT45M10A	42	47	45	M10	14
OCT50M10	33	40	50	M10	15
OCT50M12	33	40	50	M12	15
OCT55M10	44	52	55	M10	17
OCT55M12	44	52	55	M12	17
OCT60M10	42	50	60	M10	20
OCT60M12	42	50	60	M12	20
OCT65M10	34	40	65	M10	20
OCT65M12	34	40	65	M12	20
OCT70M10	39	47	70	M10	22
OCT70M12	39	47	70	M12	22
OCT75M10A	42	50	75	M10	22
OCT75M12A	42	50	75	M12	22
OCT75M10	52	62	75	M10	22
OCT75M12	52	62	75	M12	22
OCT80M10	30	41	80	M10	22
OCT100M12	46	61	100	M12	38



Full Round / Full Cylindrical Type

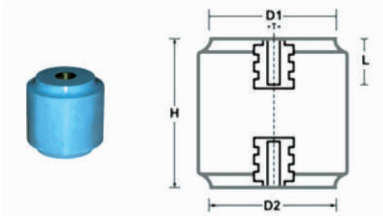


CODE NO.	H mm	R mm	I mm	HB mm
ROU25M6	25	22	M6	10
ROU25M8	25	22	M8	10
ROU3026M6	30	26	M6	10
ROU3026M8	30	26	M8	10
ROU3030M6	30	30	M6	10
ROU3030M8	30	30	M8	12
ROU3030M10	30	30	M10	12
ROU40M6	40	30	M6	15
ROU40M8	40	40	M8	15
ROU40M10	40	40	M10	15
ROU50M6	50	30	M6	20
ROU50M8	50	30	M8	20
ROU50M10	50	30	M10	20



Cylindrical Type with Chamfered Ends

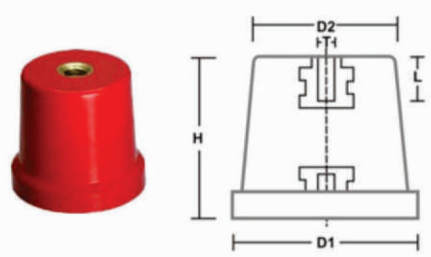
CYLC Series



CODE NO.	D1 mm	D2 mm	H mm	T mm	L mm
CYLC25M6	22	25	25	M6	7
CYLC30M6	23	30	30	M6	9
CYLC30M8	23	30	30	M8	7
CYLC40M6	30	40	40	M6	12
CYLC40M8	30	40	40	M8	12
CYLC40M10	30	40	40	M10	11
CYLC50M10	40	50	50	M10	15
CYLC50M12	40	50	50	M12	15
CYLC60M10	40	50	60	M10	22
CYLC60M12	40	50	60	M12	22
CYLC60M10A	50	60	60	M10	22
CYLC60M12A	50	60	60	M12	22
CYLC80M10	50	60	80	M10	22
CYLC80M12	50	60	80	M12	22



Conical Type

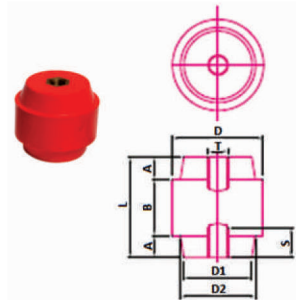


ITEM CODE	D1 mm	D2 mm	H mm	T mm	L mm
CONC25M6	25	21	25	M6	7
CONC30M6	30	21	20	M6	9
CONC30M8	33	26	30	M8	7
CONC35M6	30	22	35	M6	9
CONC35M8	30	22	35	M8	9
CONC40M8	40	33	40	M8	12
CONC40M10	40	33	40	M10	11
CONC50M10	50	41	50	M10	14
CONC50M12	50	41	50	M12	14
CONC60M10	50	40	60	M10	17
CONC60M12	50	40	60	M12	17
CONC60M10A	60	44	60	M10	17
CONC60M12A	60	44	60	M12	17
CONC80M10	55	46	80	M10	22
CONC80M12	55	46	80	M12	22



Cylindrical Type with Round Centerband

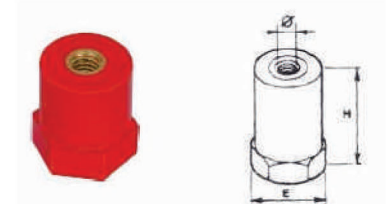
CYLR Series



CODE NO.	L mm	D1 mm	D2 mm	D mm	A mm	B mm	S mm	INSERT T
CYLR30M10A	30	34	37.5	46	11	8	9	M10
CYLR35M8	35	35	44	48	13	10	11	M8
CYLR35M10	35	35	44	48	13	10	11	M10
CYLR35M10A	35	34	37.5	46	11	13	11	M10
CYLR40M8	40	35	41	46	13	15	12	M8
CYLR40M10	40	35	41	46	13	15	12	M10
CYLR40M10A	40	34	37.5	46	11	18	12	M10
CYLR45M10A	45	34	37.5	46	11	23	14	M10
CYLR50M10	50	34	42	48	13	25	15	M10
CYLR50M10A	50	34	37.5	46	11	28	15	M10
CYLR50M12	50	34	42	48	13	25	15	M12



Round Hex Type

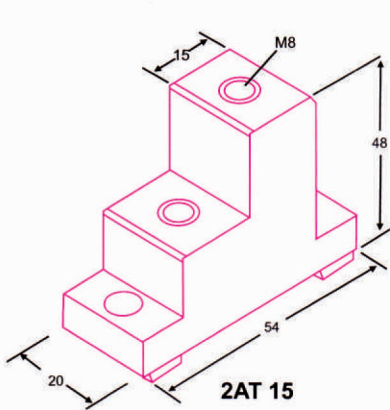
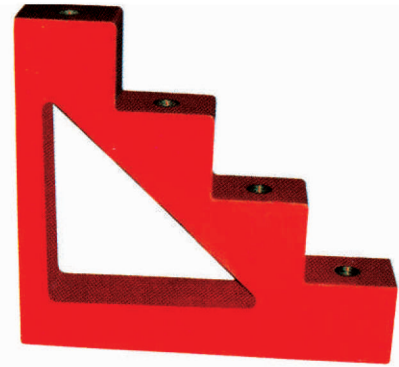
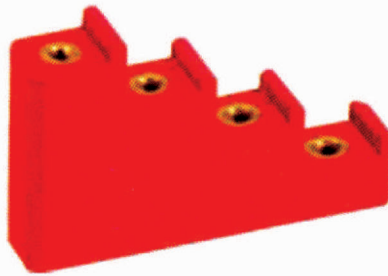
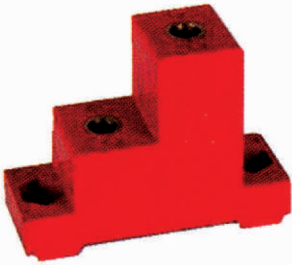


CODE NO.	E mm	H mm	ø mm
20RH25M6	20	25	M6
30RH30M6	30	30	M6
30RH35M6	30	35	M6
30RH40M6	30	40	M6
30RH50M8	30	50	M8

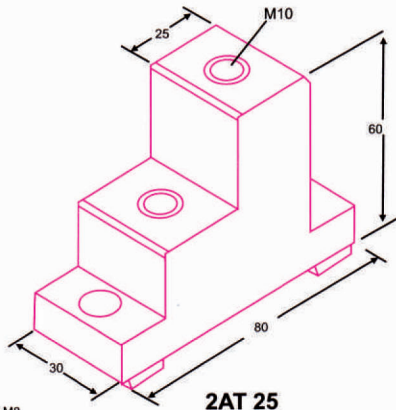


STEP INSULATORS

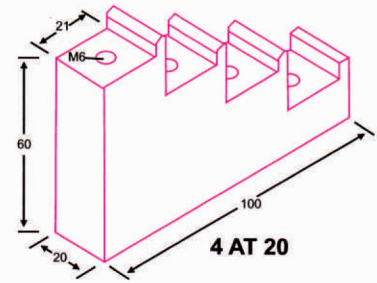
AT Series



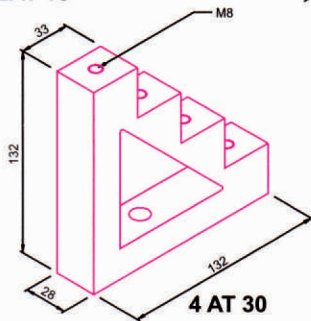
2AT 15



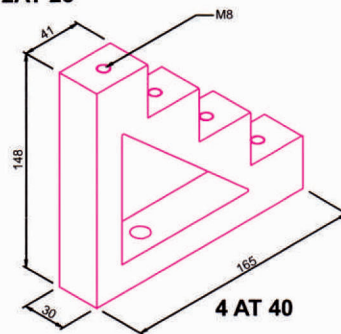
2AT 25



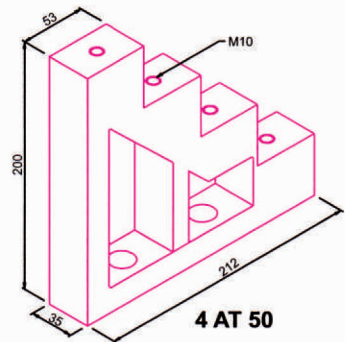
4 AT 20



4 AT 30

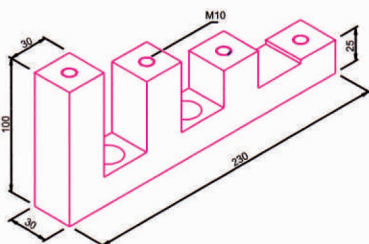
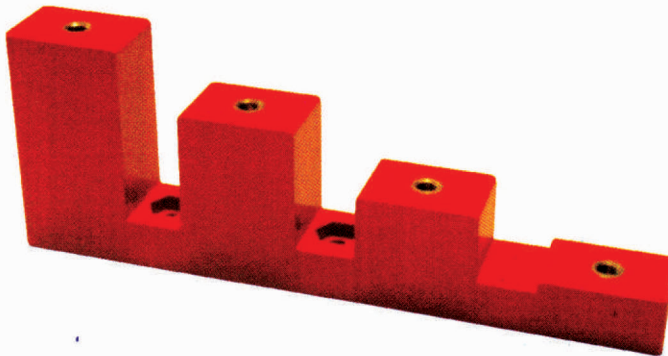


4 AT 40

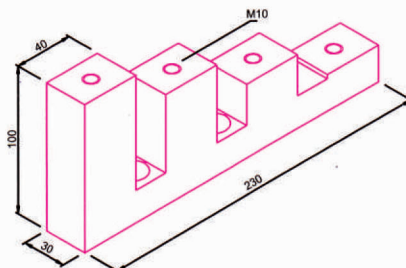


4 AT 50

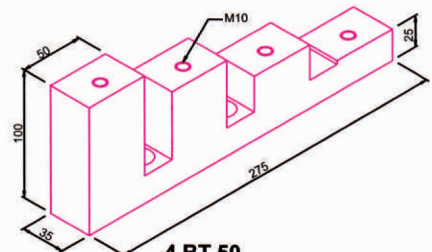
BT Series



4 BT 30



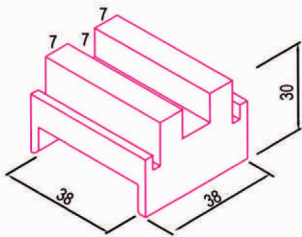
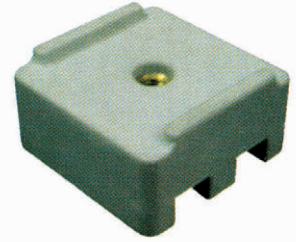
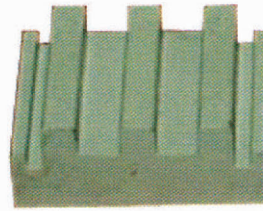
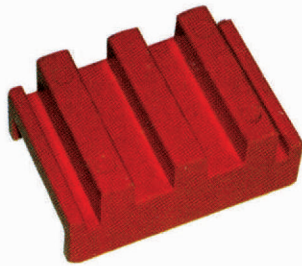
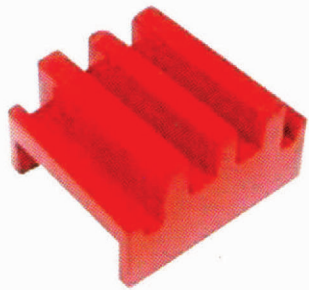
4 BT 40



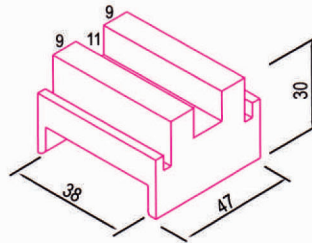
4 BT 50



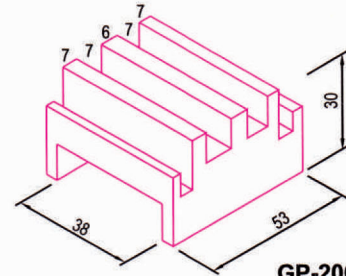
GRIP TYPE INSULATOR FOR VERTICAL BUSBARS



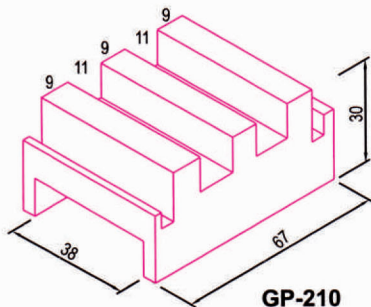
GP-106
C=20mm



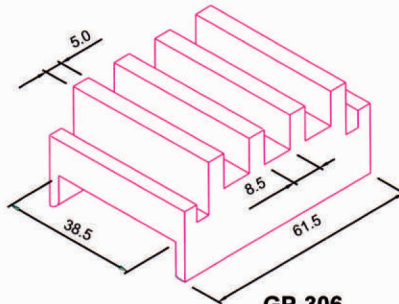
GP-110
C=20mm



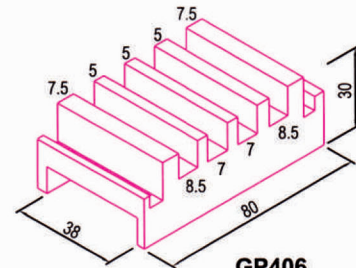
GP-206
C=25mm



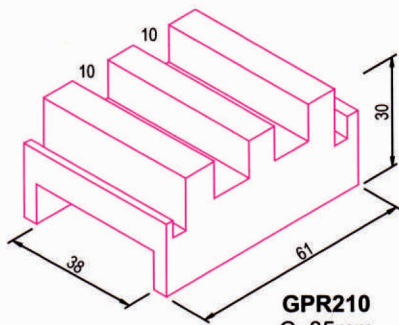
GP-210
C=30mm



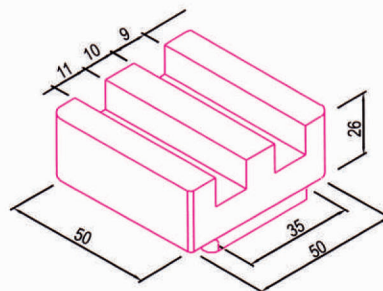
GP-306
C=30mm



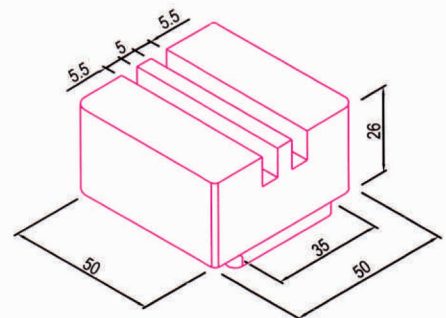
GP-406
C=50mm



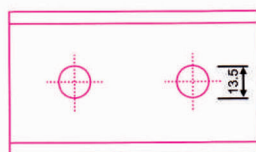
GPR210
C=35mm



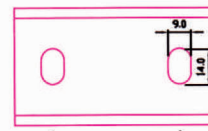
1P50-210/000



1P50-206/000

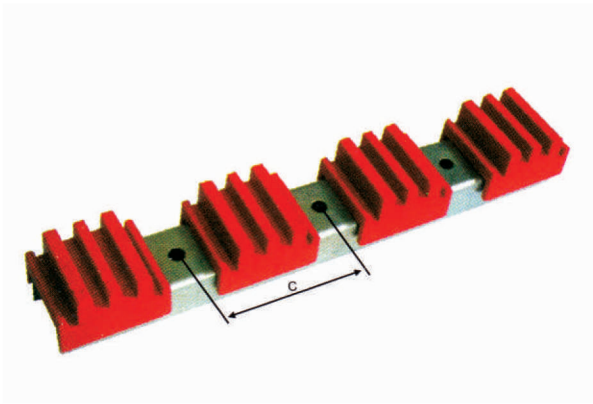


BOTTOM SIDE
GPR SERIES



BOTTOM SIDE
GP SERIES

Mounting Hole = 8

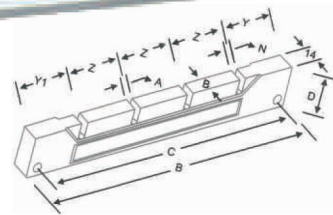
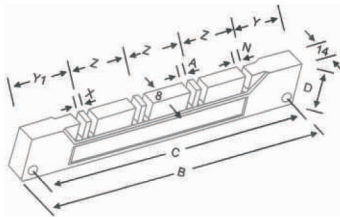


CODE NO.	LENGTH OF CHANNEL		HOLE 'C'
	3 POLE	4 POLE	
GP106	166	230	64.5
GP110	192	265	73
GP206	207	284	77.5
GP210	249	341	92
GP306	284	390	100
GP406	289	395	105.5
GPR210	246	338	91.5



INSULATORS FOR VERTICAL BUSBARS

FINGER TYPE BUSBAR SUPPORT



Code No.	DIMENSIONS (mm)							
	A	B	C	D	N	Z	Y	Y1
FT-TPN-107/30	7	300	280	50	7	65	52.5	52.5
FT-TPN-111/30	11	300	280	50	7	65	52.5	52.5
FT-TPN-114/30	14	300	280	50	7	65	52.5	52.5
FT-TPN-107/35	7	350	328	50	7	75	62.5	62.5
FT-TPN-111/35	11	350	328	50	7	75	62.5	62.5
FT-TPN-114/35	14	350	328	50	7	75	62.5	62.5
FT-TPN-107/42	7	420	396	60	7	100	52.5	67.5
FT-TPN-111/42	11	420	396	60	7	100	52.5	67.5
FT-TPN-114/42	14	420	396	60	7	100	52.5	67.5
FT-TPN-107/55	7	550	525	60	7	125	75.0	100
FT-TPN-111/55	11	550	525	60	7	125	75.0	100
FT-TPN-114/55	14	550	525	60	7	125	75.0	100
FT-TPN-107/63	7	630	600	60	7	150	80.0	100
FT-TPN-111/63	11	630	600	60	7	150	80.0	100
FT-TPN-114/63	14	630	600	60	7	150	80.0	100

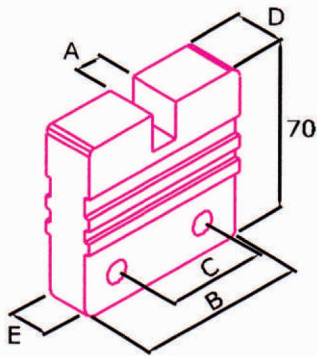
Code No.	DIMENSIONS (mm)									
	A	B	C	D	N	Z	Y	Y1	Y1	
FT-TPN-207/35	7	350	328	50	7	70	62	78	5.8	
FT-TPN-211/35	11	350	328	50	11	70	62	78	9	
FT-TPN-214/35	14	350	328	60	13.8	70	62	78	11.5	
FT-TPN-207/42	7	420	396	60	7	100	52.5	67.5	5.8	
FT-TPN-211/42	11	420	396	60	11	100	52.5	67.5	9	
FT-TPN-214/42	14	420	396	60	13.8	100	52.5	67.5	11.5	
FT-TPN-207/55	7	550	525	60	7	125	75	100	5.8	
FT-TPN-211/55	11	550	525	60	11	125	75	100	9	
FT-TPN-214/55	14	550	525	60	13.8	125	75	100	11.5	
FT-TPN-207/63	7	630	600	60	7	150	80	100	5.8	
FT-TPN-211/63	11	630	600	60	11	150	80	100	9	
FT-TPN-214/63	14	630	600	60	13.8	150	80	100	11.5	

1. Mounting hole \varnothing 8.5 mm
2. Depth of slot 15 mm

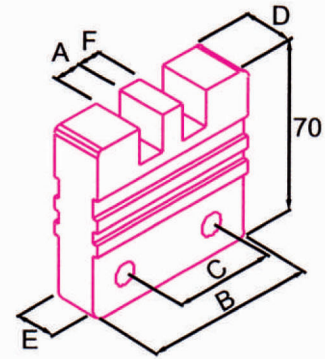


INSULATORS FOR VERTICAL BUSBARS

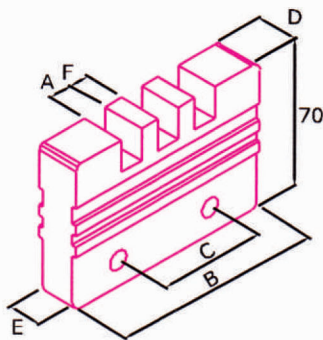
FINGER TYPE BUSBAR SUPPORT



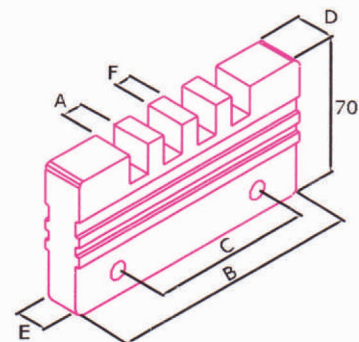
CODE NO.	DESCRIPTION	A	B	C	D	E
FT106A	6mmx1run	7	50	22	14	10
FT110A	10mmx1run	11	50	22	14	10
FT112A	12mmx1run	13.7	50	22	14	10
FT106B	6mmx1run	7	60	32	14	10
FT110B	10mmx1run	11	60	32	14	10
FT112B	12mmx1run	13.7	60	32	14	10
FT106C	6mmx1run	7	70	40	20	16
FT110C	10mmx1run	11	70	40	20	16
FT112C	12mmx1run	13.7	70	40	20	16



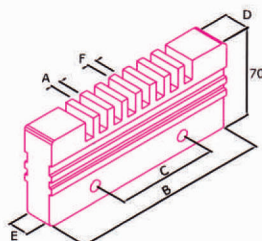
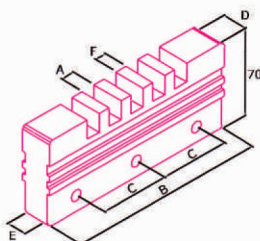
CODE NO.	DESCRIPTION	A	B	C	D	E	F
FT206A	6mmx2runs	7	60	32	14	10	5.8
FT210A	10mmx2runs	11	60	32	14	10	9
FT212A	12mmx2runs	13.7	60	32	14	10	11.9
FT206B	6mmx2runs	7	70	40	20	16	5.8
FT210B	10mmx2runs	11	70	40	20	16	9
FT210E	10mmx2runs	11.2	130	80	25	21	9.5
FT210C	10mmx2runs	11	80	50	14	10	9
FT212B	12mmx2runs	13.7	70	40	20	16	11.9
FT212D	12mmx2runs	13.7	100	50	20	16	11.9



CODE NO.	DESCRIPTION	A	B	C	D	E	F
FT306A	6mmx3runs	7	70	32	14	10	5.8
FT310A	10mmx3runs	11	80	50	14	10	9
FT312A	12mmx3runs	13.7	90	50	15	11	11.9
FT306B	6mmx3runs	7	70	40	20	16	5.8
FT310B	10mmx3runs	11	100	50	20	16	9
FT310C	10mmx3runs	11	100	50	14	10	9
FT312B	12mmx3runs	13.7	100	50	20	16	11.9
FT312B1	12mmx3runs	13.7	130	50	25	21	12.5



CODE NO.	DESCRIPTION	A	B	C	D	E	F
FT406A	6mmx4runs	7.2	80	50	14	10	5.8
FT406B	6mmx4runs	7.2	100	50	20	16	5.8
FT410B	10mmx4runs	11.7	130	80	20	16	9
FT410C	10mmx4runs	11	100	50	20	16	9
FT412B	12mmx4runs	13.7	130	80	20	16	11.9



CODE NO.	DESCRIPTION	A	B	C	D	E	F
FT506A	6mmx5runs	7	100	50	20	16	-
FT510A	10mmx5runs	11	160	55	25	20	9
FT512A	12mmx5runs	13	160	55	25	20	11
FT506B	6mmx6runs	11	100	50	20	16	-
FT510B	10mmx6runs	11	160	55/55	25	20	9
FT512B	12mmx6runs	13	160	55/55	25	20	11
FT506C	6mmx8runs	13.7	130	80	25	20	-